
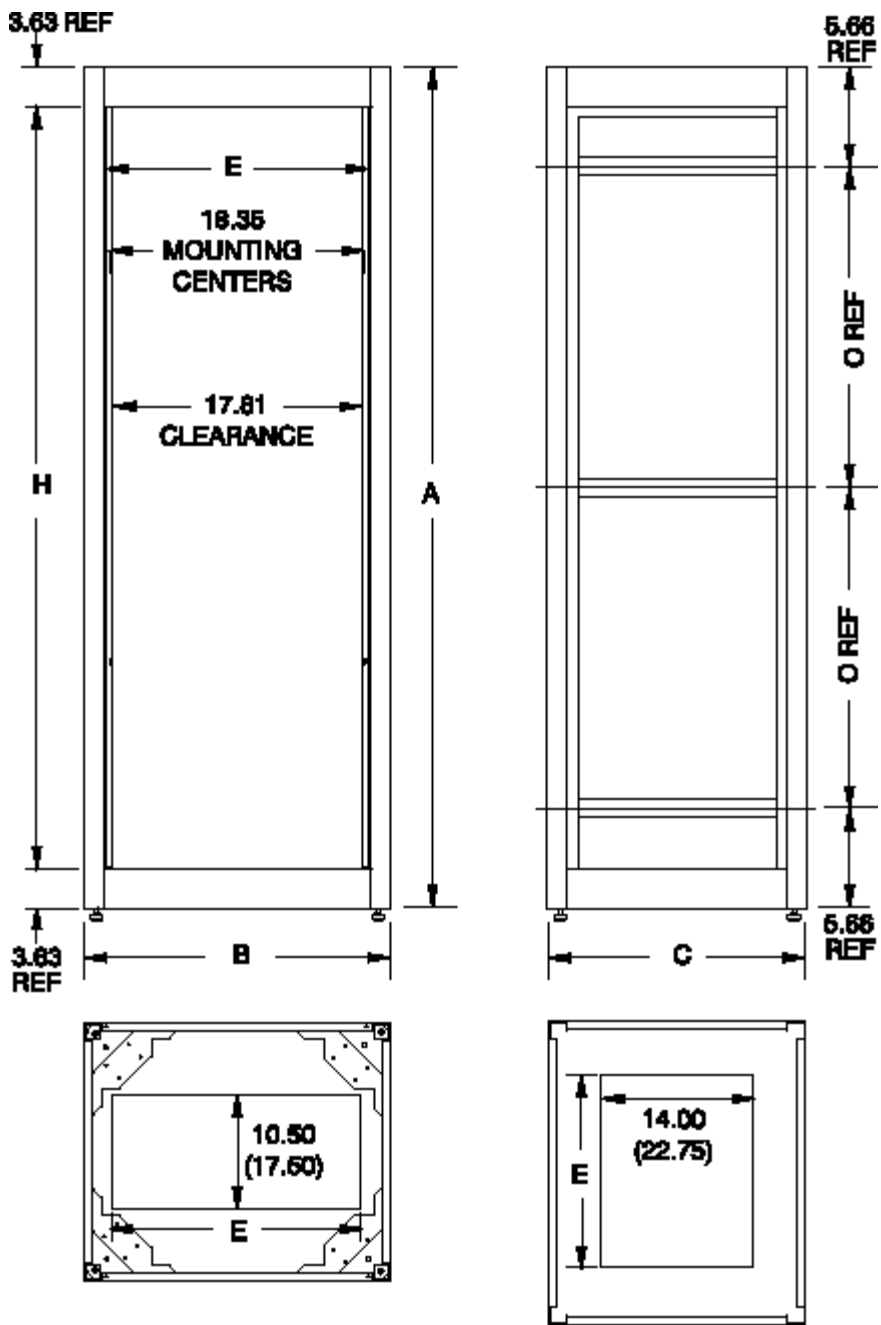


## Welded - "Contempra" Rack Cabinet Frames (C2F Series)

### ***Features:***



- Heavy duty - welded rack (1,500 lb even load rating)...
- Standard 19" panel width (23" overall)...
- Choice of three depths:
  1. usable depth of 21.63" (23.63" overall)
  2. usable depth of 29.50" (31.50" overall)
  3. usable depth of 34.00" (36.00" overall)
- Unit is shipped as welded frame only with 4 levelling feet...
-  **Panel rails are NOT included** - to maximize rail options (see accessories listed below or link here [to rails](#))...
- Save time & money, link here ([C2RR series](#)) to our assembled "**Rapid Rack**" version, complete with our most popular accessories...
- Heavy duty: 14 gauge steel frame (black or grey/beige)...
- Recommended maximum weight (C2F247836 tested) - 1,500 pounds...
- Finished in a rugged, textured powder paint...
- See frame [accessories below](#).



**23.63" Deep models:**  
Usable Depth = 21.63"

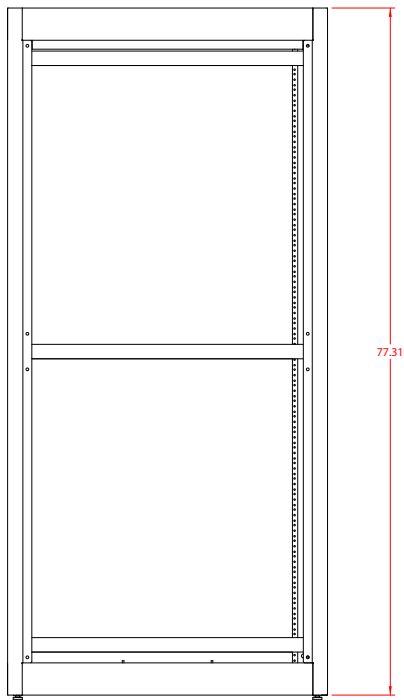
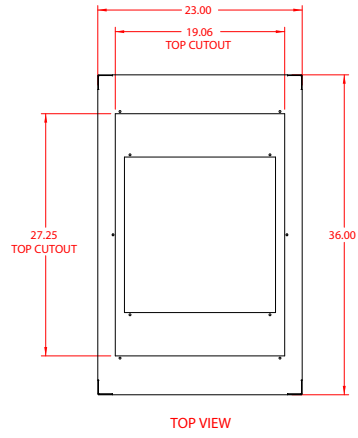
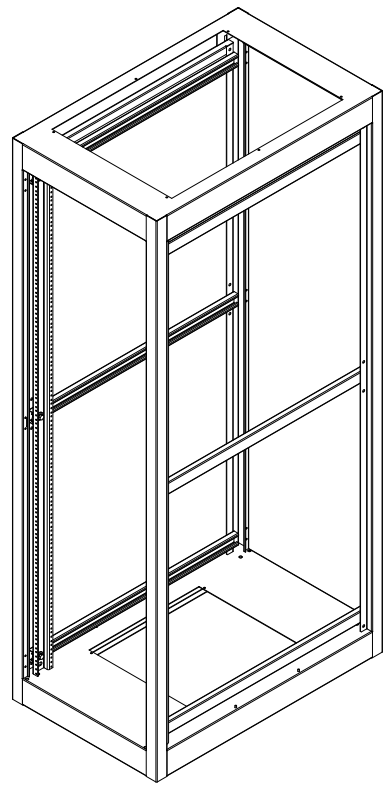
| Part Number                                | Color               | Drawing File Size | .zip File Size | Panel Height |       | Overall Dimensions (Inches) |    |       |       |
|--|---------------------|-------------------|----------------|--------------|-------|-----------------------------|----|-------|-------|
|  |                     |                   |                | Inches       | Units | A                           | B  | C     | H     |
| <b>C2F193523BK1</b><br><b>C2F193523CG1</b> | Black<br>Gray/Beige | 130K              | 55K            | <b>35</b>    | 20    | 42.31                       | 23 | 23.63 | 35.06 |
| <b>C2F194223BK1</b><br><b>C2F194223CG1</b> | Black<br>Gray/Beige | 135K              | 57K            | <b>42</b>    | 24    | 49.31                       | 23 | 23.63 | 42.06 |
| <b>C2F194923BK1</b><br><b>C2F194923CG1</b> | Black<br>Gray/Beige | 139K              | 59K            | <b>49</b>    | 28    | 56.31                       | 23 | 23.63 | 49.06 |
| <b>C2F195623BK1</b><br><b>C2F195623CG1</b> | Black<br>Gray/Beige | 145K              | 62K            | <b>56</b>    | 32    | 63.31                       | 23 | 23.63 | 56.06 |
| <b>C2F196323BK1</b><br><b>C2F196323CG1</b> | Black<br>Gray/Beige | 144K              | 63K            | <b>63</b>    | 36    | 70.31                       | 23 | 23.63 | 63.06 |



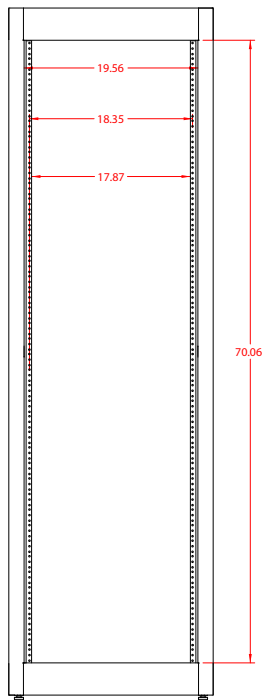
|  |                     |  |      |  |     |              |    |       |    |    |       |
|--|---------------------|--|------|--|-----|--------------|----|-------|----|----|-------|
| <b>C2F195636CG1</b>                        | Gray/Beige          |  | 141K |  | 64K | <b>56</b>    | 32 | 63.31 | 23 | 36 | 56.06 |
| <b>C2F196336BK1</b><br><b>C2F196336CG1</b> | Black<br>Gray/Beige |  | 145K |  | 65K | <b>63</b>    | 36 | 70.31 | 23 | 36 | 63.06 |
| <b>C2F197036BK1</b><br><b>C2F197036CG1</b> | Black<br>Gray/Beige |  | 149K |  | 67K | <b>70</b>    | 40 | 77.31 | 23 | 36 | 70.06 |
| <b>C2F197836BK1</b><br><b>C2F197836CG1</b> | Black<br>Gray/Beige |  | 154K |  | 68K | <b>78.75</b> | 45 | 86.06 | 23 | 36 | 78.81 |
| <b>C2F198536BK1</b><br><b>C2F198536CG1</b> | Black<br>Gray/Beige |  | 157K |  | 70K | <b>85.75</b> | 49 | 93.06 | 23 | 36 | 85.81 |



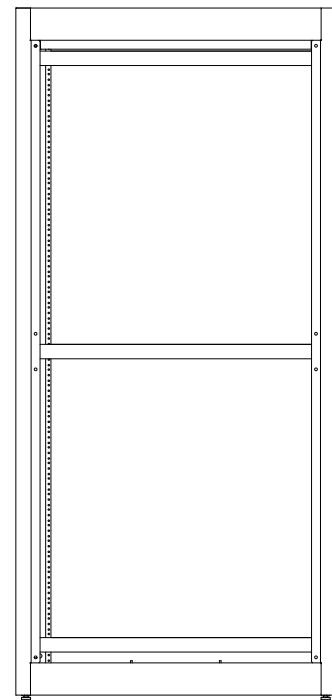
PART No. C2F197036



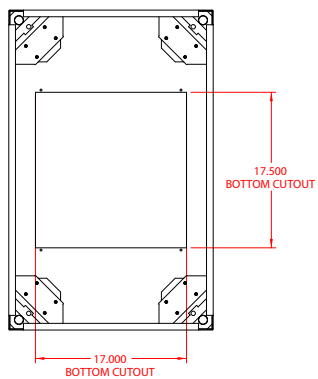
LS. VIEW



FRONT VIEW



R.S. VIEW



BOTTOM VIEW

## FEATURES

- Heavy duty, welded 14 guage steel rack frame
- Recommended maximum weight (C2F247836 tested) - 1,500 pounds
- Standard 19" panel mount width (23" overall width)
- For 19" extra wide, 23" and 24" rack mount cabinets for vertical cable management applications see page 56
- Choice of three depths (23.6", 31.5" or 36")
- Unit is shipped as a welded frame only with 4 levelling feet
- **Panel rails are NOT included** allows maximum flexibility of panel rails, quantity & options (ie..tapped or square hole) see page 45 for options.
- Finished in a rugged, textured powder paint finish
- Welded frame bottom includes caster mounts
- See ordering guide (next page)

### 23.63" Deep (Usable Depth = 21.63")

| Part Number    |                | Dimensions (Inches) |       |         |       |       |            |       |               |       |               |
|----------------|----------------|---------------------|-------|---------|-------|-------|------------|-------|---------------|-------|---------------|
|                |                | Panel Height        |       | Overall |       |       | Top Cutout |       | Bottom Cutout |       | Strut Spacing |
|                |                |                     |       | Height  | Width | Depth | Depth      | Width | Depth         | Width |               |
| Black Textured | Beige Textured | C                   | Units | A       | B     | D     | E          | F     | G             | H     | K             |
| C2F193523BK1   | C2F193523CG1   | 35.06               | 20    | 42.31   | 23    | 23.63 | 14         | 19    | 10.5          | 17    | N/A           |
| C2F194223BK1   | C2F194223CG1   | 42.06               | 24    | 49.31   | 23    | 23.63 | 14         | 19    | 10.5          | 17    | 19.00         |
| C2F194923BK1   | C2F194923CG1   | 49.06               | 28    | 56.31   | 23    | 23.63 | 14         | 19    | 10.5          | 17    | 22.50         |
| C2F195623BK1   | C2F195623CG1   | 56.06               | 32    | 63.31   | 23    | 23.63 | 14         | 19    | 10.5          | 17    | 26.00         |
| C2F196323BK1   | C2F196323CG1   | 63.06               | 36    | 70.31   | 23    | 23.63 | 14         | 19    | 10.5          | 17    | 29.50         |
| C2F197023BK1   | C2F197023CG1   | 70.06               | 40    | 77.31   | 23    | 23.63 | 14         | 19    | 10.5          | 17    | 33.00         |
| C2F197823BK1   | C2F197823CG1   | 78.81               | 45    | 86.06   | 23    | 23.63 | 14         | 19    | 10.5          | 17    | 37.38         |
| C2F198523BK1   | C2F198523CG1   | 85.81               | 49    | 93.06   | 23    | 23.63 | 14         | 19    | 10.5          | 17    | 40.88         |

### 31.5" Deep (Usable Depth = 29.5")

| Part Number    |                | Dimensions (Inches) |       |         |       |       |            |       |               |       |               |
|----------------|----------------|---------------------|-------|---------|-------|-------|------------|-------|---------------|-------|---------------|
|                |                | Panel Height        |       | Overall |       |       | Top Cutout |       | Bottom Cutout |       | Strut Spacing |
|                |                |                     |       | Height  | Width | Depth | Depth      | Width | Depth         | Width |               |
| Black Textured | Beige Textured | C                   | Units | A       | B     | D     | E          | F     | G             | H     | K             |
| C2F193531BK1   | C2F193531CG1   | 35.06               | 20    | 42.31   | 23    | 31.50 | 22.75      | 19    | 17.5          | 17    | N/A           |
| C2F194231BK1   | C2F194231CG1   | 42.06               | 24    | 49.31   | 23    | 31.50 | 22.75      | 19    | 17.5          | 17    | 19.00         |
| C2F194931BK1   | C2F194931CG1   | 49.06               | 28    | 56.31   | 23    | 31.50 | 22.75      | 19    | 17.5          | 17    | 22.50         |
| C2F195631BK1   | C2F195631CG1   | 56.06               | 32    | 63.31   | 23    | 31.50 | 22.75      | 19    | 17.5          | 17    | 26.00         |
| C2F196331BK1   | C2F196331CG1   | 63.06               | 36    | 70.31   | 23    | 31.50 | 22.75      | 19    | 17.5          | 17    | 29.50         |
| C2F197031BK1   | C2F197031CG1   | 70.06               | 40    | 77.31   | 23    | 31.50 | 22.75      | 19    | 17.5          | 17    | 33.00         |
| C2F197831BK1   | C2F197831CG1   | 78.81               | 45    | 86.06   | 23    | 31.50 | 22.75      | 19    | 17.5          | 17    | 37.38         |
| C2F198531BK1   | C2F198531CG1   | 85.81               | 49    | 93.06   | 23    | 31.50 | 22.75      | 19    | 17.5          | 17    | 40.88         |

### 36" Deep (Usable Depth = 34")

| Part Number    |                | Dimensions (Inches) |       |         |       |       |            |       |               |       |               |
|----------------|----------------|---------------------|-------|---------|-------|-------|------------|-------|---------------|-------|---------------|
|                |                | Panel Height        |       | Overall |       |       | Top Cutout |       | Bottom Cutout |       | Strut Spacing |
|                |                |                     |       | Height  | Width | Depth | Depth      | Width | Depth         | Width |               |
| Black Textured | Beige Textured | C                   | Units | A       | B     | D     | E          | F     | G             | H     | K             |
| C2F193536BK1   | C2F193536CG1   | 35.06               | 20    | 42.31   | 23    | 36    | 27.25      | 19    | 17.5          | 17    | N/A           |
| C2F194236BK1   | C2F194236CG1   | 42.06               | 24    | 49.31   | 23    | 36    | 27.25      | 19    | 17.5          | 17    | 19.00         |
| C2F194936BK1   | C2F194936CG1   | 49.06               | 28    | 56.31   | 23    | 36    | 27.25      | 19    | 17.5          | 17    | 22.50         |
| C2F195636BK1   | C2F195636CG1   | 56.06               | 32    | 63.31   | 23    | 36    | 27.25      | 19    | 17.5          | 17    | 26.00         |
| C2F196336BK1   | C2F196336CG1   | 63.06               | 36    | 70.31   | 23    | 36    | 27.25      | 19    | 17.5          | 17    | 29.50         |
| C2F197036BK1   | C2F197036CG1   | 70.06               | 40    | 77.31   | 23    | 36    | 27.25      | 19    | 17.5          | 17    | 33.00         |
| C2F197836BK1   | C2F197836CG1   | 78.81               | 45    | 86.06   | 23    | 36    | 27.25      | 19    | 17.5          | 17    | 37.38         |
| C2F198536BK1   | C2F198536CG1   | 85.81               | 49    | 93.06   | 23    | 36    | 27.25      | 19    | 17.5          | 17    | 40.88         |